

NLSR

NFD

CS

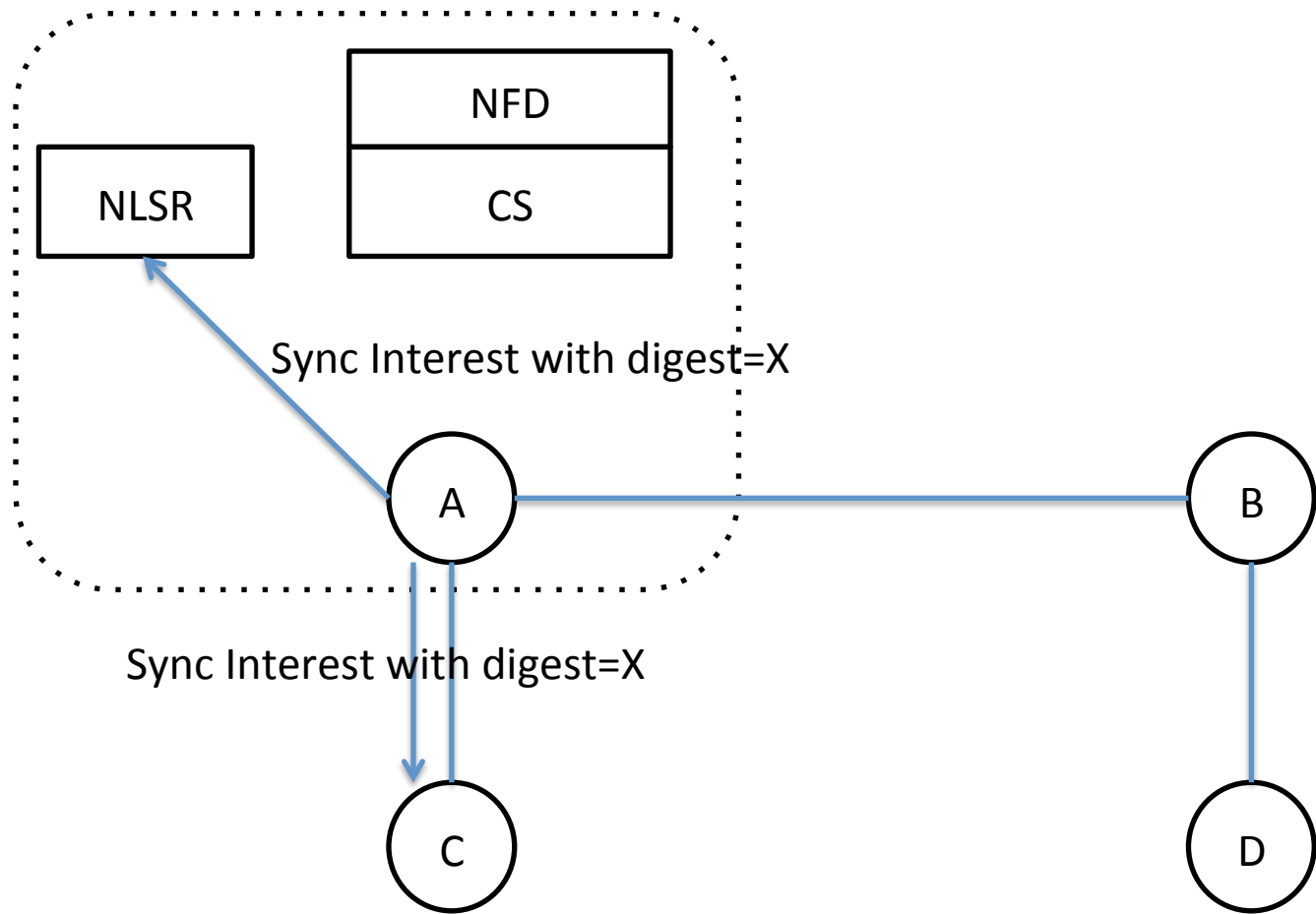
No match found in CS

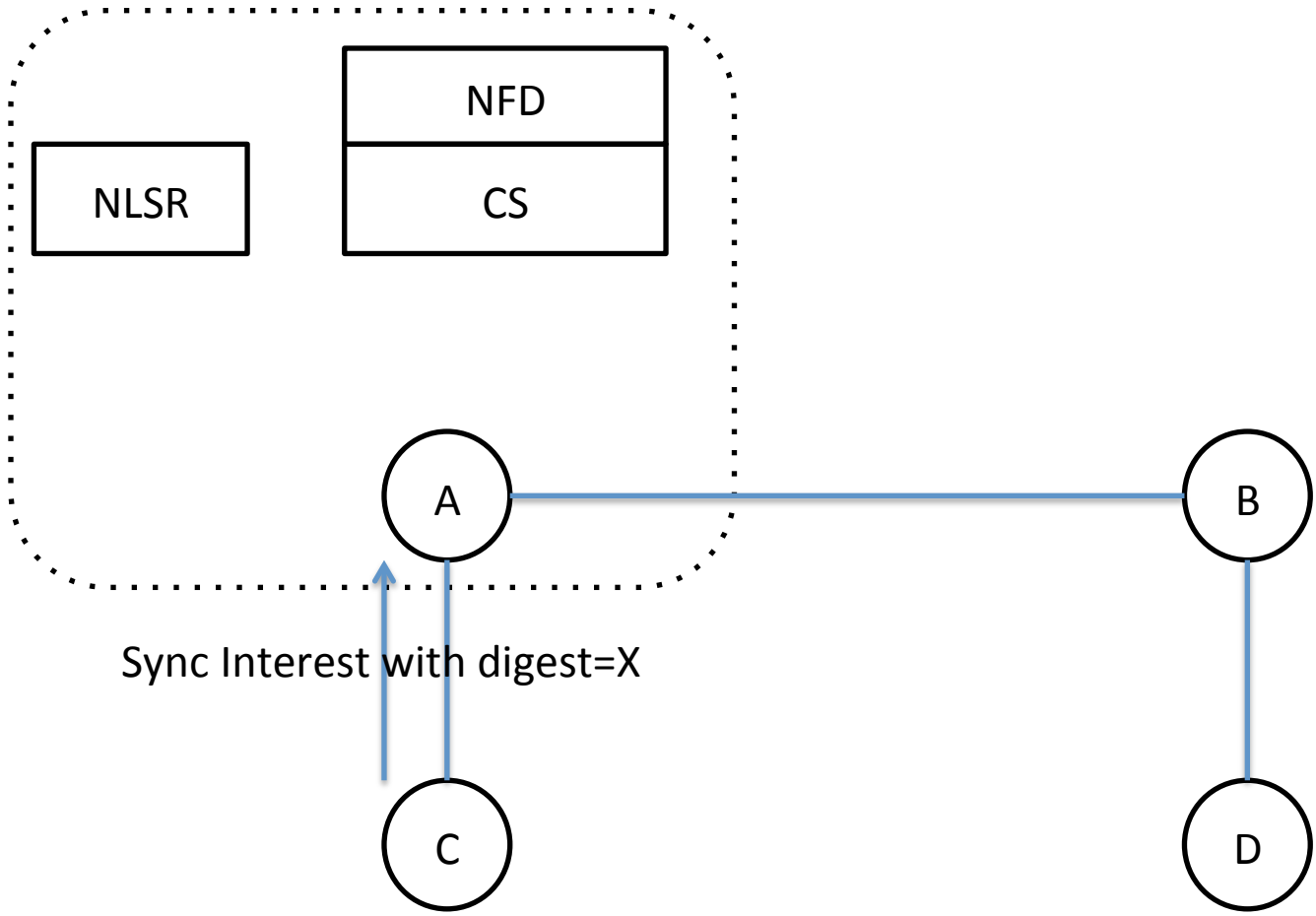
A

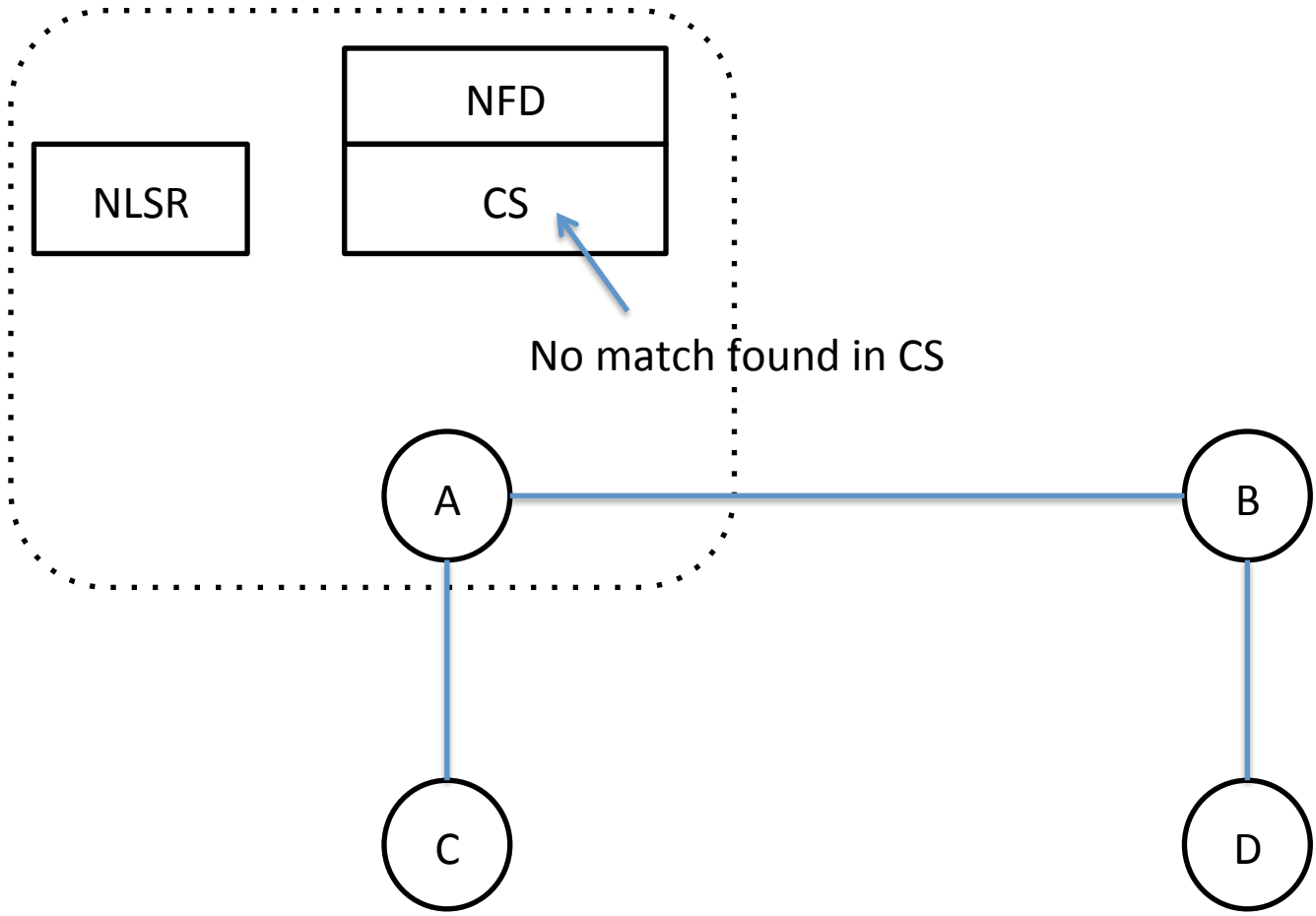
B

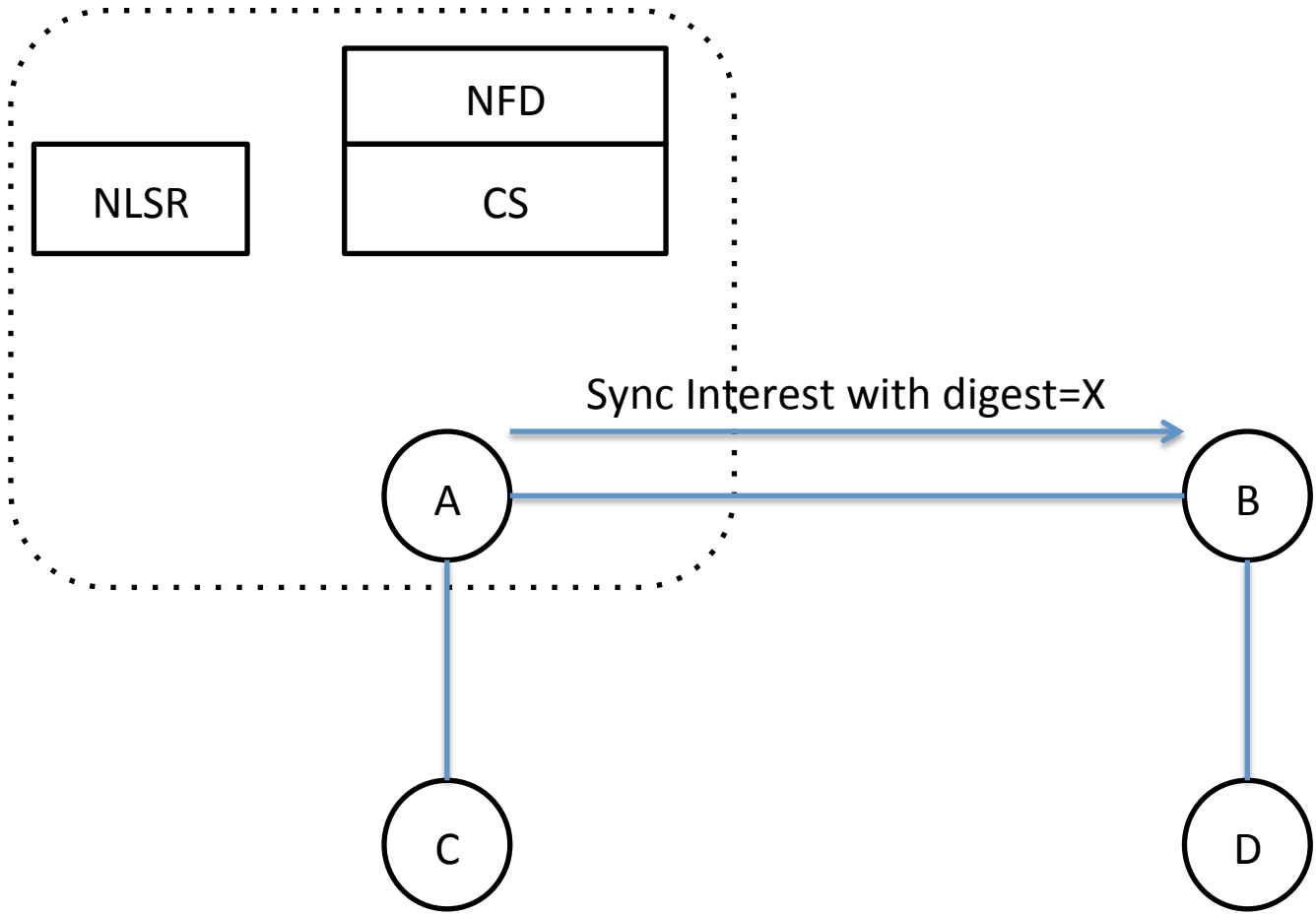
C

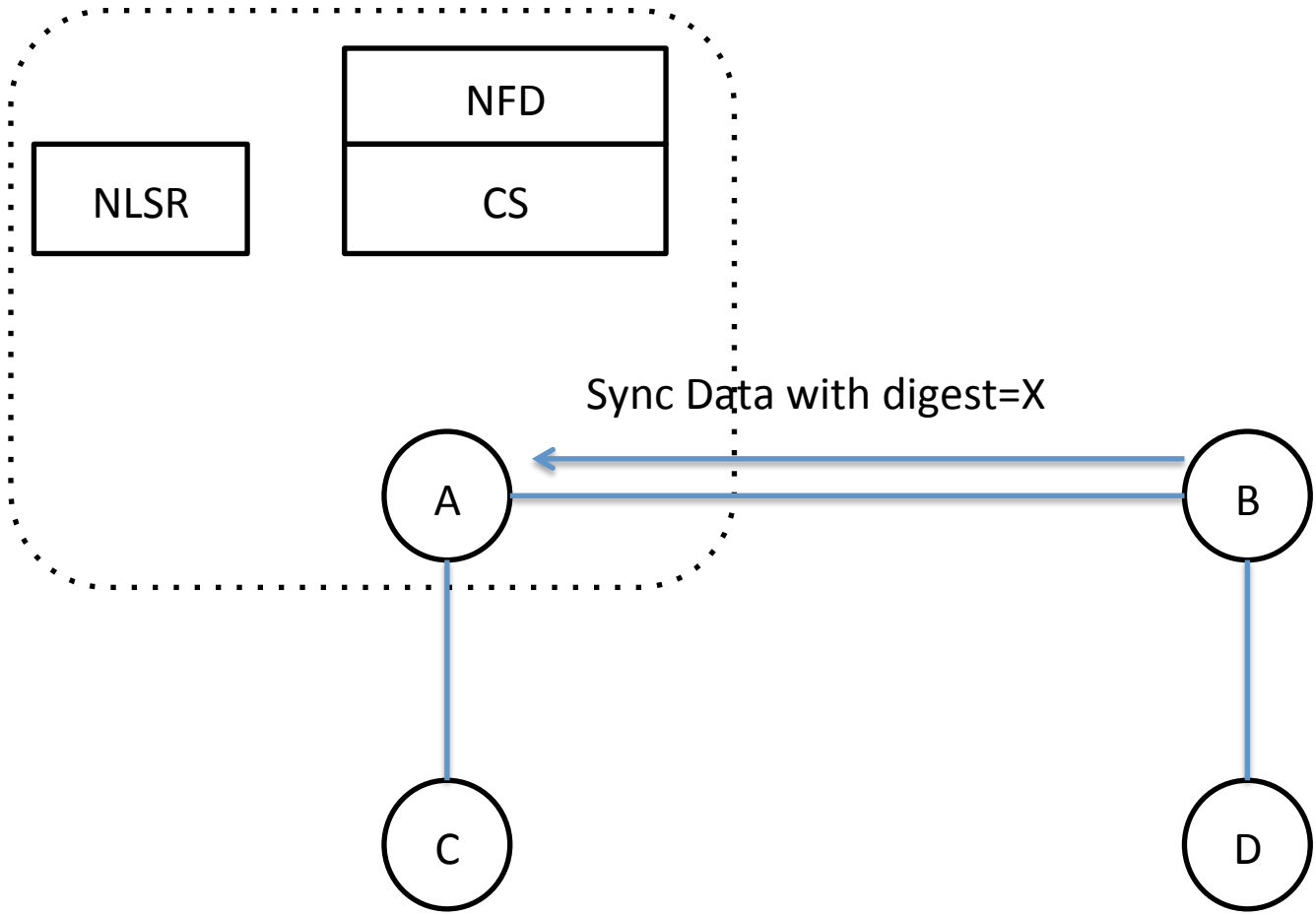
D



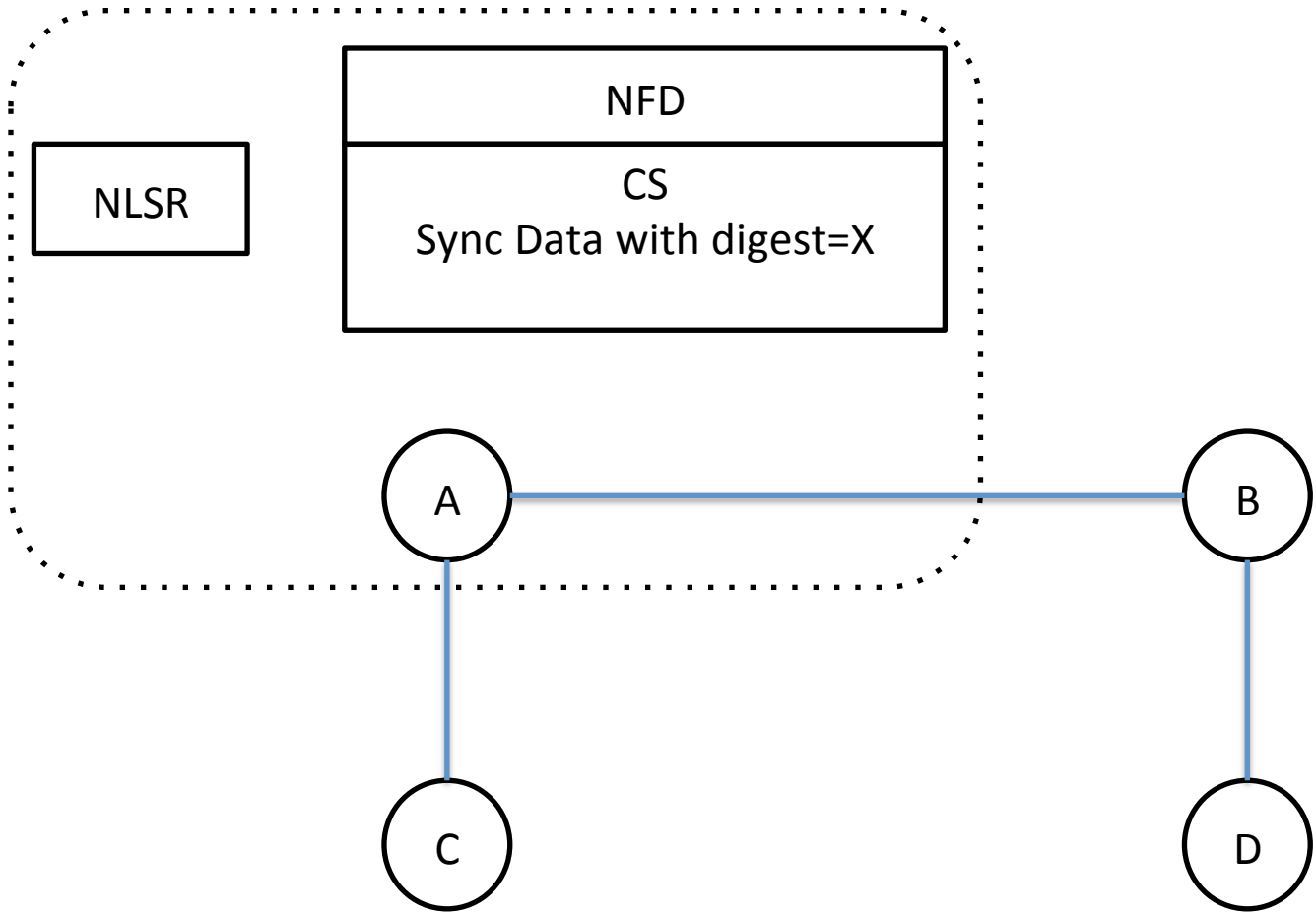


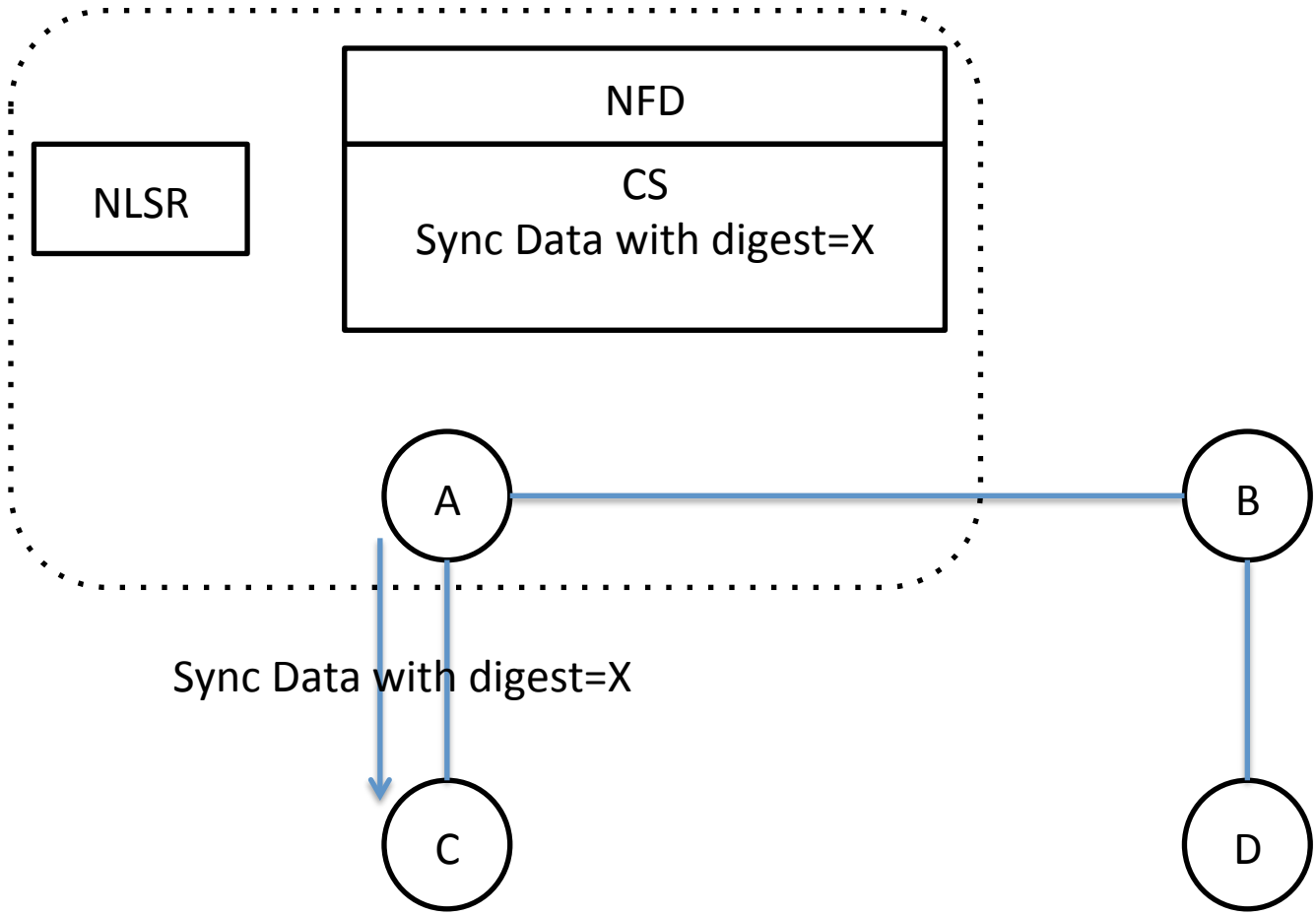


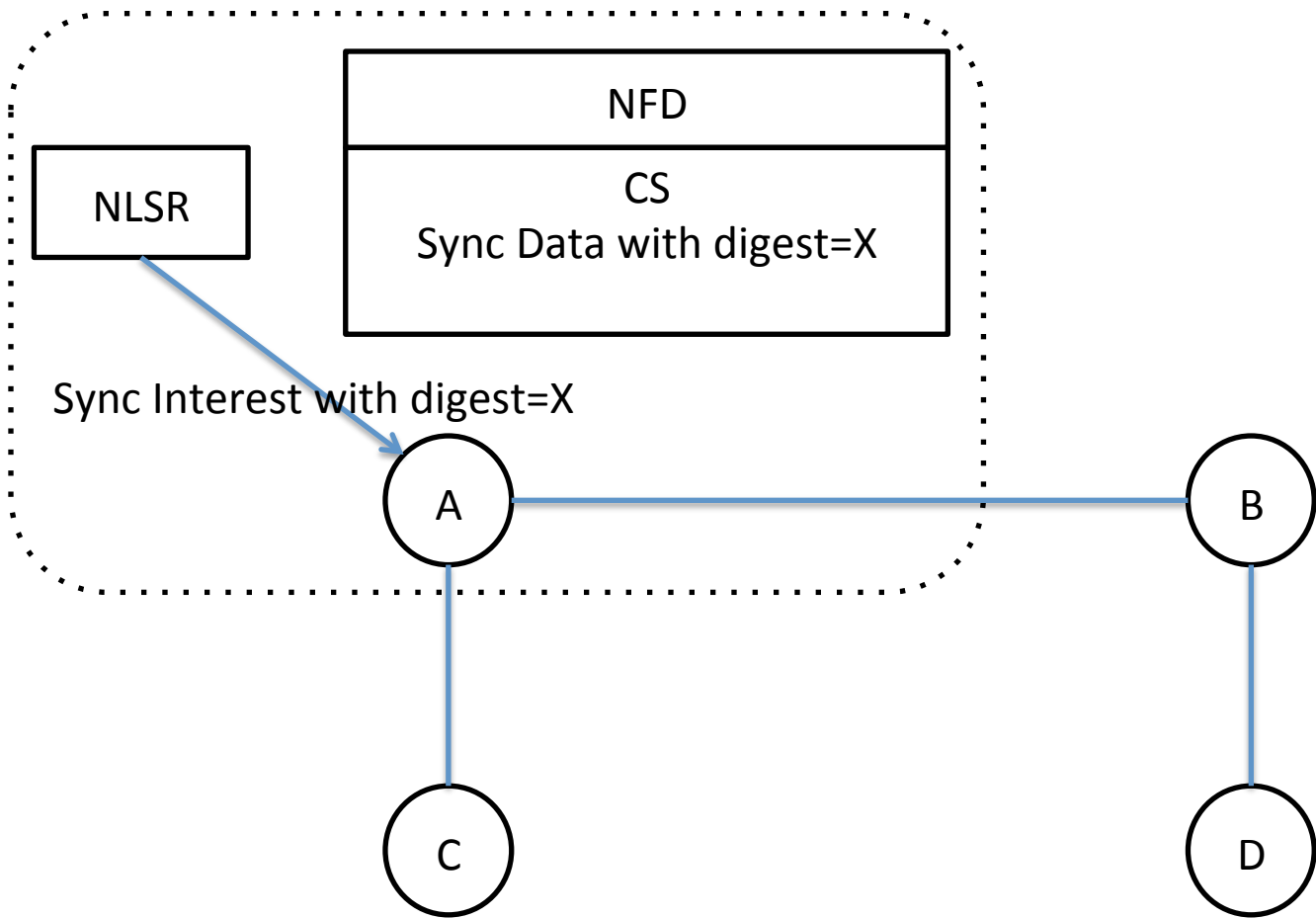


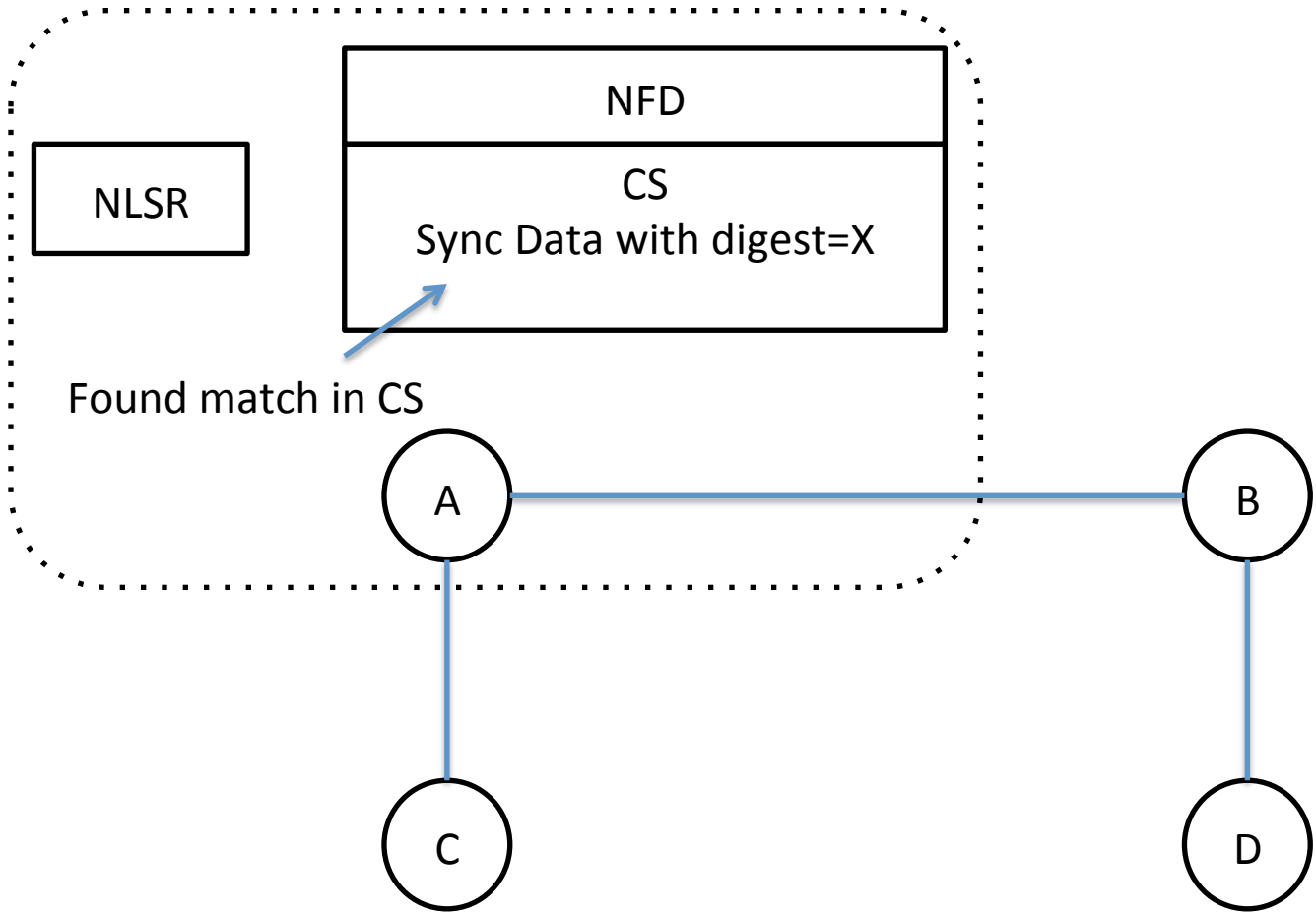


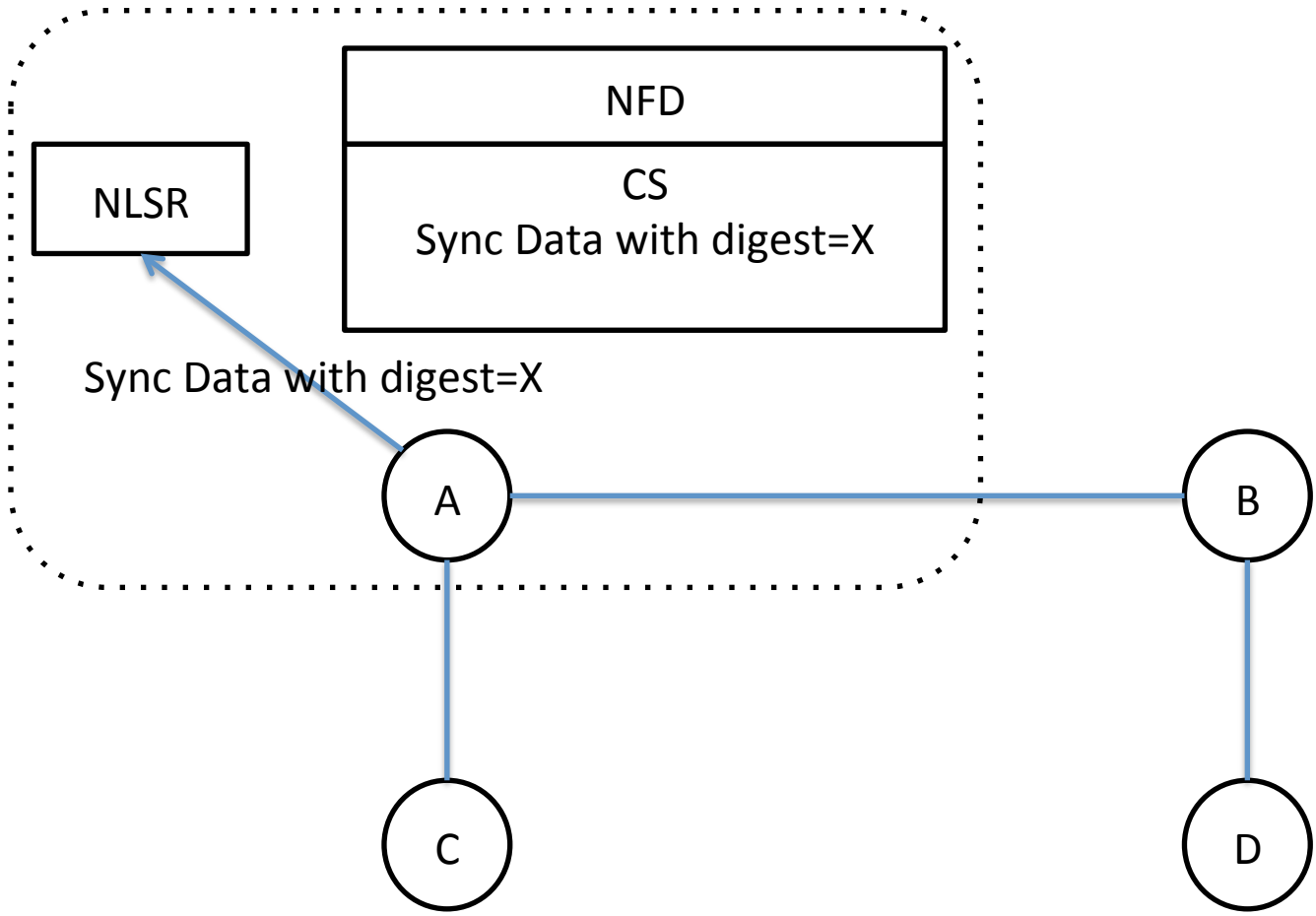


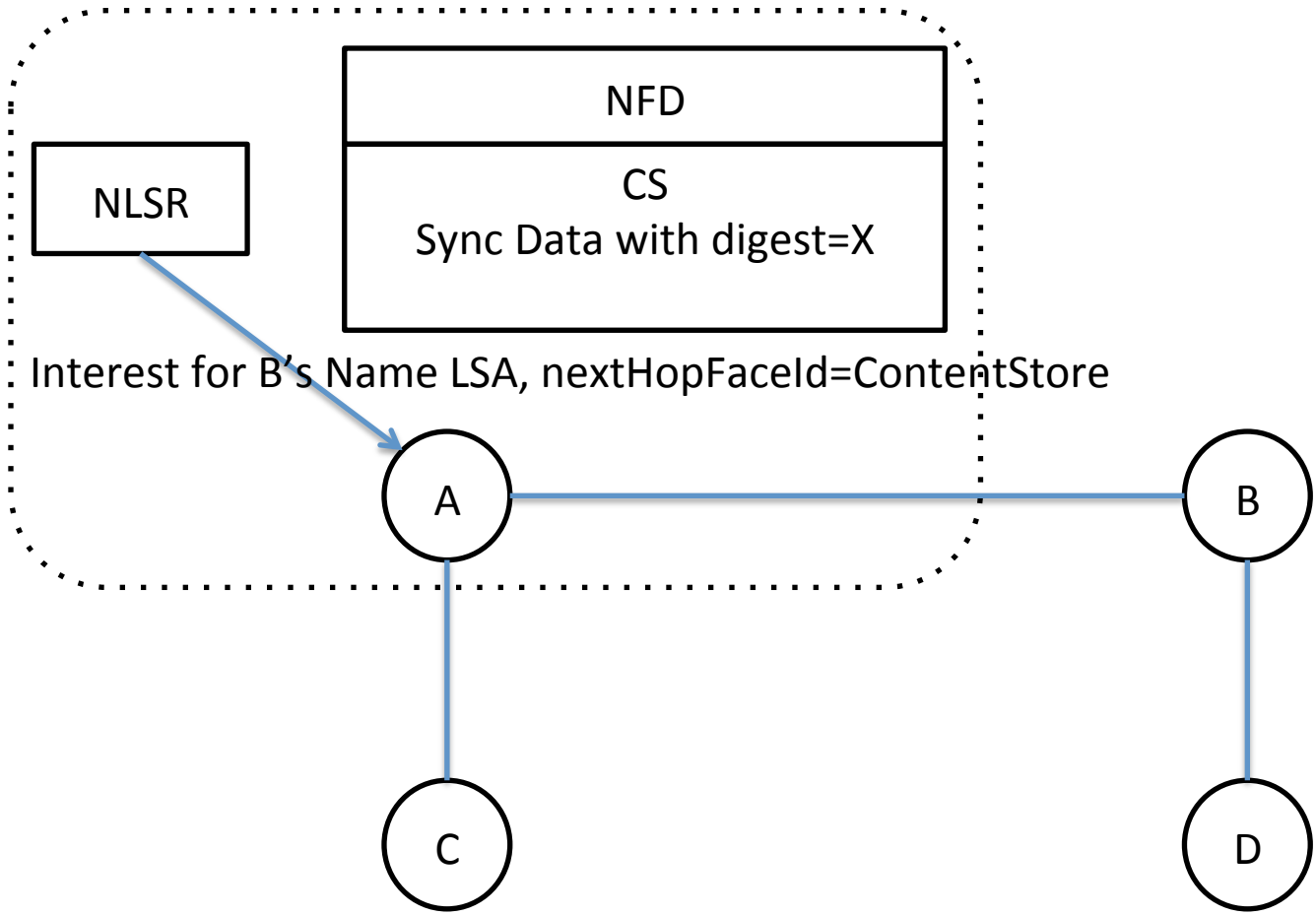


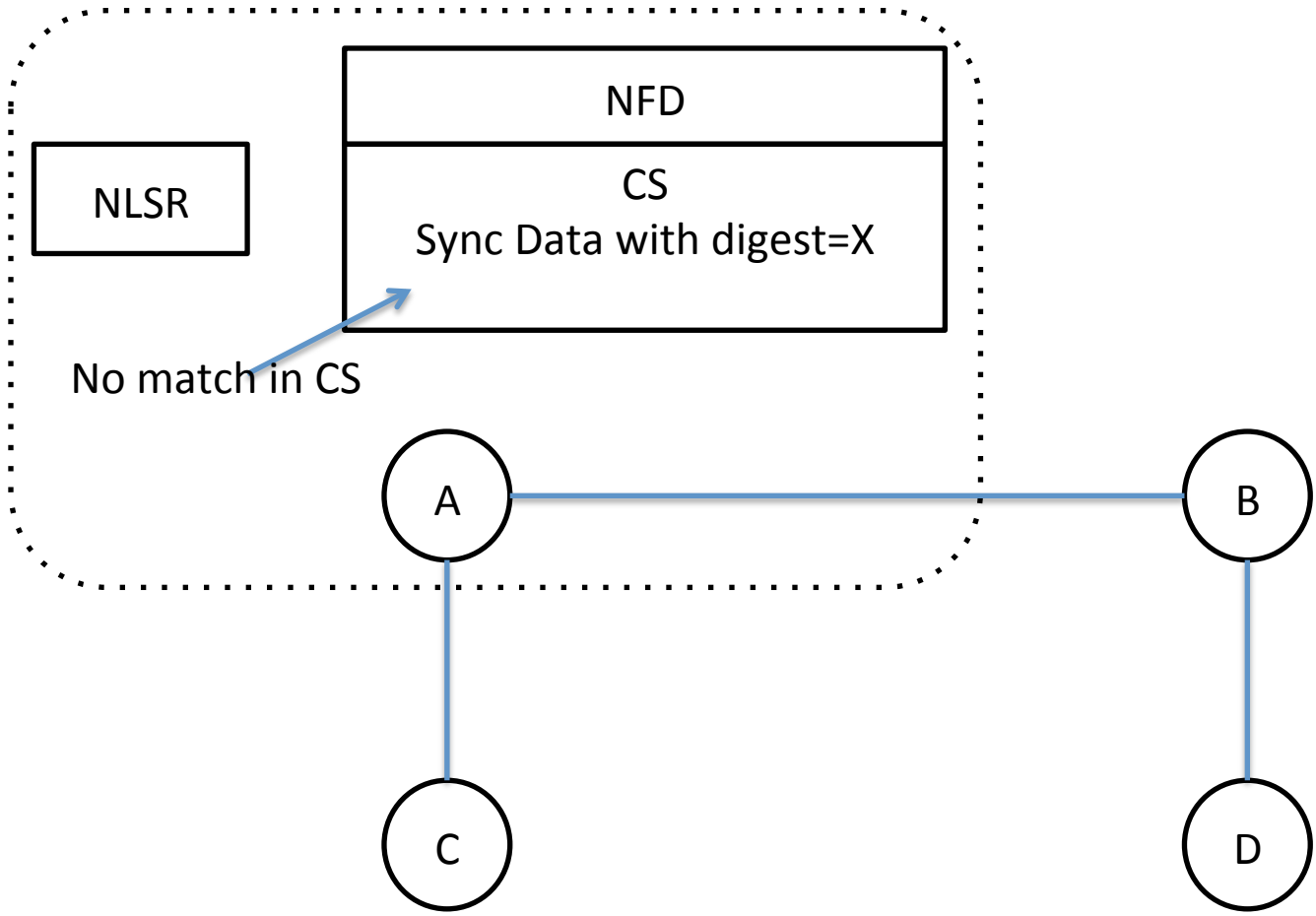


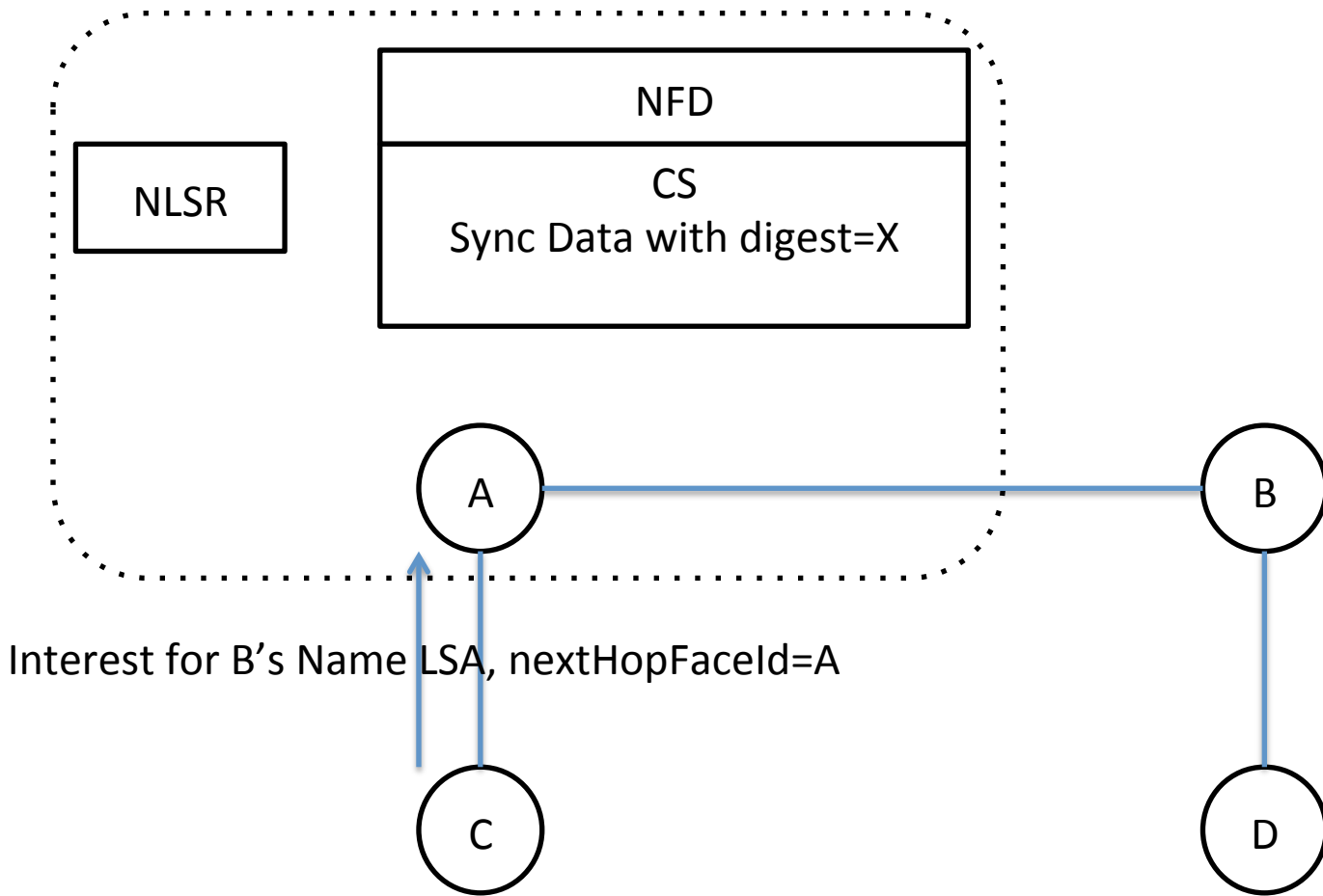




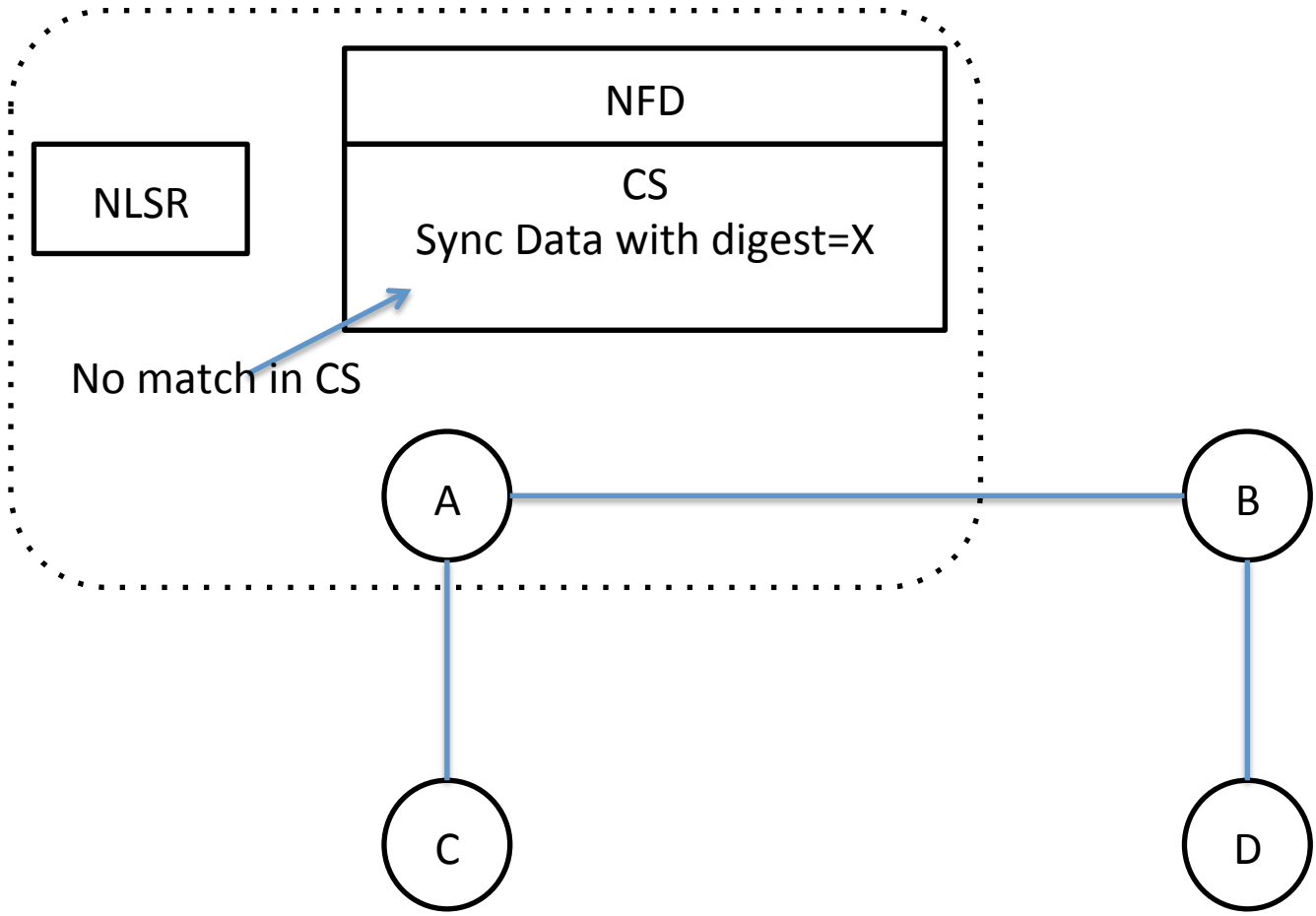












NLSR

NFD

CS

Sync Data with digest=X

No match in CS

A

B

C

D

